

SANIMARIN 43

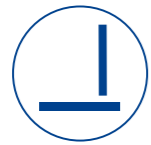
STANDARD HEIGHT

MADE IN FRANCE

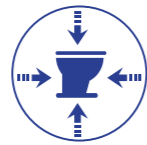
With its pure and simple lines, it fits easily into all spaces.



Acoustic pressure: 46 dB(A)



Standard height, installed at floor level



Optimal size



Removable soft close seat



CONTROL SYSTEMS

(refer to page 20 for details)

Comfort



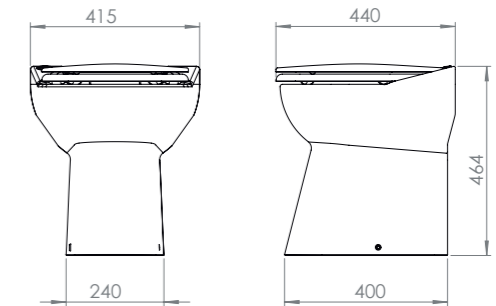
Premium



Luxe



DIMENSIONS (mm)



23Kg

TECHNICAL FEATURES

Discharge parameters	Vertical : 3 m / Horizontal : 30 m
Non return valve	Integrated
Outlet diameter	38 mm or 25 mm
Motor power	300 W (12 V), 360 W (24 V)
Electricity consumption	Dependent upon the control system (details on page 5)
Water consumption	Dependent upon the control system from 1.2 L to 2.4 L
Water use	<ul style="list-style-type: none"> - Onboard freshwater (integrated solenoid valve) or outside pressurised water - Minimum dynamic pressure: 1.7 bar - Recommended pump flow rate 11 L / min

REFERENCES

VOLTAGE SELECTION

SANIMARIN 43 12V	SN43-12V	3308815099606
SANIMARIN 43 24V	SN43-24V	3308815099613

⊕ CONTROL SYSTEM SELECTION

MARINE COMFORT SWITCH	SN-SWITCH1	3308815099644
MARINE PREMIUM DUAL BUTTON	SN-SWITCH2	3308815099651
MARINE LUXE CONTROL PANELWHITE	SN-SWITCH3	3308815099668
MARINE LUXE CONTROL PANELBLACK	SN-SWITCH4	3308815099675
MARINE LUXE CONTROL PANEL	SN-SWITCH5	3308815099682