

# SANIMARIN 43

## STANDARD HEIGHT



MADE IN FRANCE

With its pure and simple lines, it fits easily into all spaces.



Standard height, installed at floor level



Optimal size



Removable soft close seat



### CONTROL SYSTEMS

(see detail page 20)

**Comfort**



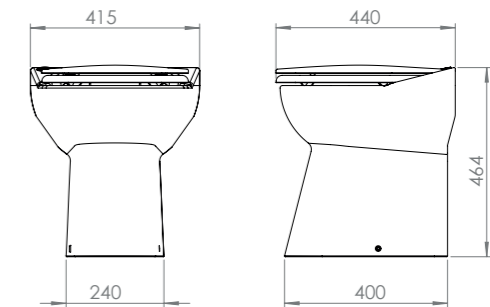
**Premium**



**Luxe**



### DIMENSIONS (mm)



23Kg

### TECHNICAL FEATURES

<b>Discharge parameters</b>	Vertical: 3 m / Horizontal: 30 m
<b>Non return valve</b>	Integrated
<b>Outlet diameter</b>	38 mm or 25 mm
<b>Motor power</b>	300 W (12 V), 360 W (24 V)
<b>Electricity consumption</b>	Dependent upon the control system (see detail p.5)
<b>Water consumption</b>	Dependent upon the control system from 1.2 L to 2.4 L
<b>Water use</b>	<ul style="list-style-type: none"> <li>- Onboard freshwater (integrated solenoid valve) or outside pressurised water</li> <li>- Minimum dynamic pressure: 1.7 bar</li> <li>- Recommended pump flow rate 11 L / min</li> </ul>

### REFERENCES

Designation	Code	EAN
<b>Sanimarin 43 Comfort 12 V</b>	SN4312VLC	3308815077918
<b>Sanimarin 43 Comfort 24 V</b>	SN4324VLC	3308815077925
<b>Sanimarin 43 Premium 12 V</b>	SN4312VPREMIUM	3308815077956
<b>Sanimarin 43 Premium 24 V</b>	SN4324VPREMIUM	3308815077963
<b>Sanimarin 43 Luxe 12 V</b>	SN4312VCLAVSFA	3308815077970
<b>Sanimarin 43 Luxe 24 V</b>	SN4324VCLAVSFA	3308815077987