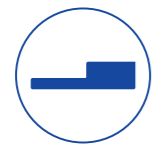


SANIMARIN 31

REDUCED HEIGHT



Thanks to its compact footprint
this model fits easily into confined spaces.



Mounting
on a raised step



Small
dimensions



Removable soft close
seat



CONTROL SYSTEMS

(see detail page 20)

Comfort



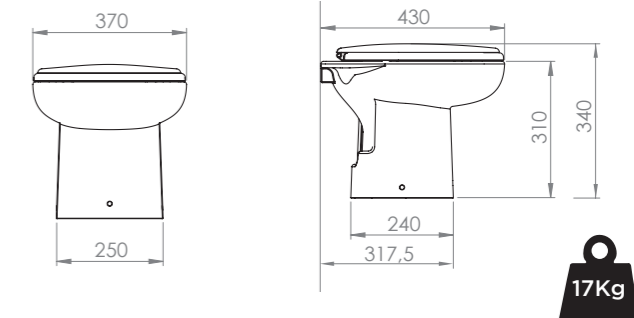
Premium



Luxe



DIMENSIONS (mm)



TECHNICAL FEATURES

Discharge parameters	Vertical: 3 m / Horizontal: 30 m
Non return valve	Integrated
Outlet diameter	38 mm or 25 mm
Motor power	300 W (12 V), 360 W (24 V)
Electricity consumption	Dependent upon the control system (see detail p.5)
Water consumption	Dependent upon the control system from 1.2 L to 2.4 L
Water use	<ul style="list-style-type: none"> - Onboard freshwater (integrated solenoid valve) or outside pressurised water - Minimum dynamic pressure: 1.7 bar - Recommended pump flow rate 11 L / min

REFERENCES

Designation	Code	EAN
Sanimarin 31 Comfort 12 V	SN3112VLC	3308815012148
Sanimarin 31 Comfort 24 V	SN3124VLC	3308815012162
Sanimarin 31 Premium 12 V	SN3112VPREMIUM	3308815077864
Sanimarin 31 Premium 24 V	SN3124VPREMIUM	3308815077871
Sanimarin 31 Luxe 12 V	SN3112VCLAVSFA	3308813412018
Sanimarin 31 Luxe 24 V	SN3124VCLAVSFA	3308813424011